

BAADER 1395 90° Bird Unloader

- Simple proven design
- Birds can be breast in or breast out
- Does not damage shackles
- Unloads all bird sizes
- Unloads left or right
- Easy Clean-up: Reduced grease build-up on chicken legs
- Unload double hung birds and other mishangs
- Operates on 90° Corner (Clockwise or Counter-Clockwise)
- Line driven



BAADER 1395 90° Bird Unloader

• Technical Data

Unloader Function

The shackle wheel holds the shackle in position, and in time with the conveyor as the lift bar pushes the bird out of the shackle.

Capacity

Up to and including 180 bph.

Note: All others subject to approval by Baader-Johnson

Broiler Size Range

Any size broiler.

Materials of Construction

Stainless steel, aluminum, Delrin

Weights, Dimensions and Volume

<i>Machine Weight:</i>	300 lbs	136 kg
<i>Shipping Weight:</i>	408 lbs	185 kg
<i>Crated Dims:</i>	61.8 ft ³	1.75 m ³

Mechanical

<i>Torque Requirements:</i>	200 ft lb	275 Nm
<i>Shackle Length:</i>	Min 26"	661 mm
	Max 34"	864 mm
<i>Track Height Min</i>	Min 84"	2134 mm
	Max 115"	2921 mm

Shackle Types: Plastic BJ rigid shackle
Plastic & Stainless BJ 2-piece

Note: All others subject to approval by Baader-Johnson

Note: All rigid shackles to be mounted with neutral clips or clips pointing away from the machine.

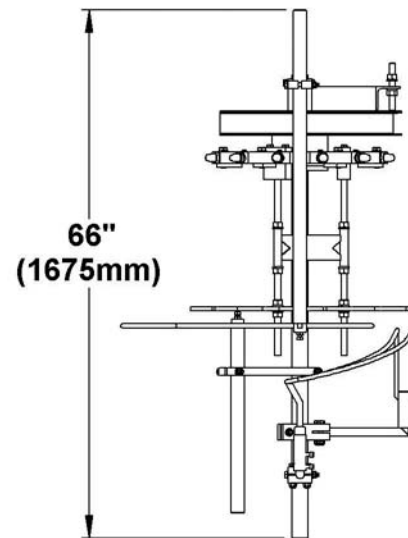
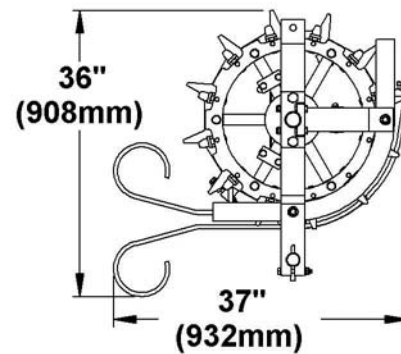
Track Types: T-rail (50 mm)
I-Beam (3")
Round Pipe Sch 80 42 x 5mm

Note: All others subject to approval by Baader-Johnson

Chain Types: Log chain (1")
Log chain (1-1/2")
X 348

Note: All others subject to approval by Baader-Johnson

Note: Chain stretch not to exceed 4%



Illustrations and dimensions are approximate and not binding. Subject to design changes in the interest of technical progress. Actual scope of supply is specified in our quotations and order confirmations and may differ from descriptions and photos in this leaflet.

Attention!

For the illustration of technical details the safety devices and protection mechanisms are partly not shown in operative condition. When operating the machine, all corresponding devices and instructions referring to the safety of the machine must be utilized and/or observed. (Protective panels and safety guards removed for photograph)



Johnson Food Equipment, Inc.
Member of the BAADER Group
2955 Fairfax Trafficway Kansas City, KS 66115
Tel: 913-621-3366 Fax: 913-621-1729
Email: sales@baader-johnson.com
Web Site: www.baader-johnson.com
800-288-3434 U.S. & Canada