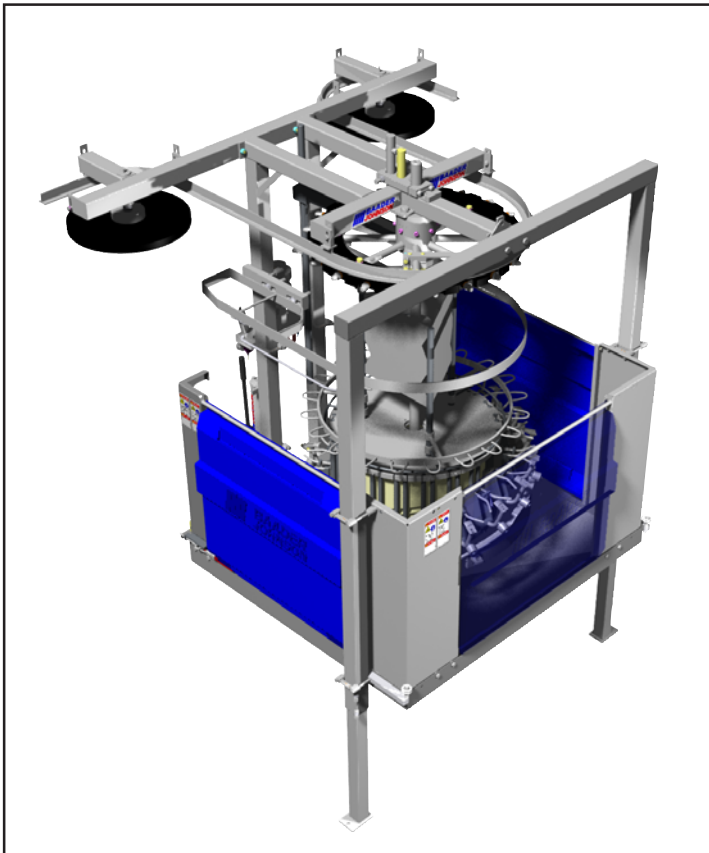


**BAADER 1476
Carcass Care® Neckbreaker**

- Consistently breaks and pulls the neck down, leaving the neck hanging attached to the skin
- Available in various models to accommodate any conveyor, shackle type, line speed and bird size
- Designed for labor savings, efficiency, low maintenance costs and reliability
- Constructed of stainless steel, aluminum and nylon
- Enclosed cabinet for safety, spray containment and easy cleaning
- USDA approved



BAADER 1476 Carcass Care® Neckbreaker

■ Technical Data

Operating Range		U.S.	Metric
	Min	3 Lb	1.4 Kg
	Max	8 Lb	3.6 Kg

Note: The indicated limits of the working ranges may vary as a function of the proportion, quality and nutritional condition of the bird. In order to achieve an optimal result, the machine should be adjusted within its working range to the bird size principally processed.

Capacity	Min	42 bpm (2,500 bph)
	Max	160 bpm (9,600 bph)

Note: All others subject to approval by Baader-Johnson

Machine Options

- 20 Heads, 6" on center
- 15 Heads, 8" on center

Weights, Dimensions and Volume

<i>Machine Weight:</i>		1300 Lb	600 Kg
<i>Shipping Weight:</i>		1550 Lb	700 Kg
<i>Shipping Dims:</i>	L	130"	3302 mm
	W	80"	2032 mm
	H	80"	2032 mm
<i>Shipping Volume:</i>		481 ft ³	14 m ³

Water

<i>Process Water Reqs:</i>	V	3 GPM	11 L/min
	P	40 PSI	3 bar
	T	60°F	16°C
<i>Process Water Connection:</i>		1/2" FNPT	1/2" FNPT
<i>Backflush Water Reqs:</i>	V	3 GPM	11 L/min
	P	40 PSI	3 bar
	T	100°F	38°C
<i>Backflush Water Connect:</i>		1/2" FNPT	1/2" FNPT

Mechanical

<i>Torque Requirements:</i>		75 ft/lb.	105 Nm
<i>Shackle Length:</i>	Min	26"	661 mm
	Max	34"	864 mm
<i>Track Height Min</i>	Min	84"	2134 mm
	Max	115"	2921 mm
<i>Shackle Types:</i>		Plastic BJ rigid shackle Plastic & Stainless BJ 2-piece	

Note: All others subject to approval by Baader-Johnson

Note: All rigid shackles to be mounted with neutral clips or clips pointing away from the machine.

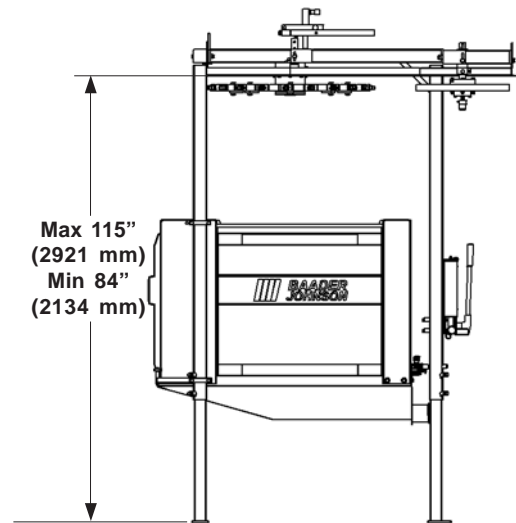
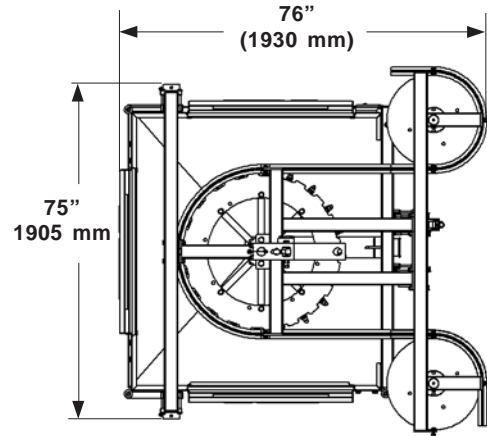
<i>Track Types:</i>	T-rail (50mm)	
	I-Beam (3")	
	Round Pipe Sch 80	42 x 5mm

Note: All others subject to approval by Baader-Johnson

<i>Chain Types:</i>	Log chain (1")
	Log chain (1-1/2")
	X 348

Note: All others subject to approval by Baader-Johnson

Note: Chain stretch not to exceed 4%



Illustrations and dimensions are approximate and not binding. Subject to design changes in the interest of technical progress. Actual scope of supply is specified in our quotations and order confirmations and may differ from descriptions and photos in this leaflet.

Attention!

For the illustration of technical details the safety devices and protection mechanisms are partly not shown in operative condition. When operating the machine, all corresponding devices and instructions referring to the safety of the machine must be utilized and/or observed. (Protective panels and safety guards removed for photograph)



Johnson Food Equipment, Inc.
Member of the BAADER Group
2955 Fairfax Trafficway Kansas City, KS 66115
Tel: 913-621-3366 Fax: 913-621-1729
Email: sales@baader-johnson.com
Web Site: www.baader-johnson.com
800-288-3434 U.S. & Canada