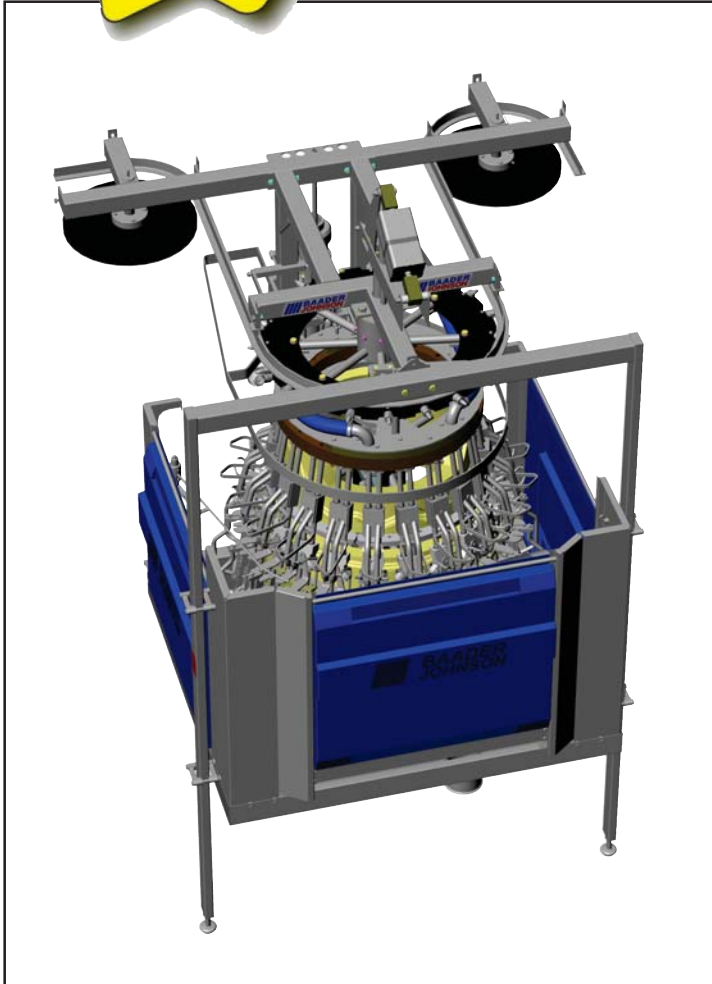


Space Savings
Plus Great
Performance!



BAADER 1487 Carcass Care® Neckbreaker/Lung Remover

- Performs two functions at once, saving time and space in the plant
- Lungs and residual viscera are efficiently removed
- Consistently breaks and pulls the neck down, leaving it attached to the skin
- Optional installation available to remove the neck from the bird
- Available in various models to accommodate any conveyor, shackle type, line speed and bird size
- Designed for high efficiency, low cost and reliability
- Full cabinet enclosure for safety, containment of over spray and easy cleaning
- USDA approved



Simple, Durable and Effective
CARCASS
BAADER
CARE®

Neck Skin Trimmer Now Available!!



BAADER 1487 Carcass Care® Neckbreaker/Lung Remover

• Technical Data

Operating Range

	US	Metric
Min	3 Lb	1.4 Kg
Max	10 Lb	4.5 Kg

Note: The indicated limits of the working ranges may vary as a function of the proportion, quality and nutritional condition of the bird. In order to achieve an optimal result, the machine should be adjusted within its working range to the bird size principally processed.

Capacity

Min	42 bpm (2,500bph)
Max	160 bpm (9,600bph)

Note: All others subject to approval by Baader-Johnson

Machine Options

20 Heads, 6" on center-up to 160 BPM

15 Heads, 8" on center-up to 120 BPM

Weights, Dimensions and Volume

Machine Weight:	1900 Lb	850 Kg	
Shipping Weight:	2700 Lb	1200 Kg	
Shipping Dims:	L	130"	3302 mm
	W	80"	2032 mm
	H	80"	2032 mm
Shipping Volume:	481 ft ³	14 m ³	

Water

Process Water Reqs:	V	12 GPM	45 L/min
	P	40 PSI	3 bar
	T	60°F	16°C
Process Water Connection:		1/2" FNPT	1/2" FNPT
Backflush Water Reqs:	V	3 GPM	11 L/min
	P	40 PSI	3 bar
	T	100°F	38°C
Backflush Water Connect:		1/2" FNPT	1/2" FNPT

Vacuum

Vacuum Requirements:	V	450 ACFM	765 m ³ /hr
	P	15" Hg	-0.51 bar
Vacuum Connections:		3" FNPT	3" FNPT

Air

Air Requirements:	V	20 CFM	34 m ³ /hr
	P	150 PSI	10 bar
Air Dew Point:		32°F	0°C
Air Connection:		1/2" FNPT	1/2" FNPT

Electrical

Std. Elect. Requirements:	V	230/460 V	230/460 V
	Ph	3 Ph	3 Ph
	Hz	60 Hz	50 Hz
	Amp	1.25/2.5 A	1.25/2.5 A
	HP	0.5 Hp	0.37 Kw

Note: All others subject to approval by Baader-Johnson

Mechanical

Torque Requirements:		200 ft lb	275 Nm
Shackle Length:	Min	26"	661 mm
	Max	34"	864 mm
	Track Height Min	Min	84"
	Max	115"	2921 mm
Shackle Types:		Plastic BJ rigid shackle	
		Plastic & Stainless BJ 2-piece	

Note: All others subject to approval by Baader-Johnson

Note: All rigid shackles to be mounted with neutral clips or clips pointing away from the machine.

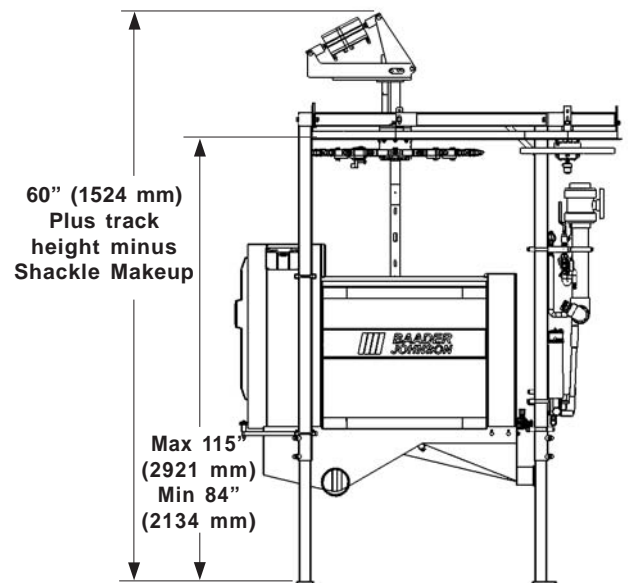
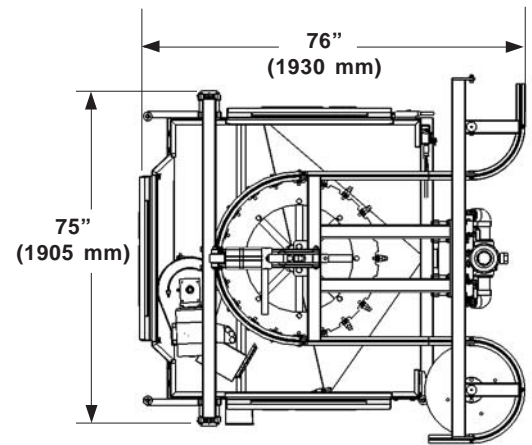
Track Types:	T-rail (50 mm)
	I-Beam (3")
	Round Pipe Sch 80

Note: All others subject to approval by Baader-Johnson

Chain Types:	Log chain (1")
	Log chain (1-1/2")
	X 348

Note: All others subject to approval by Baader-Johnson

Note: Chain stretch not to exceed 4%



Illustrations and dimensions are approximate and not binding. Subject to design changes in the interest of technical progress. Actual scope of supply is specified in our quotations and order confirmations and may differ from descriptions and photos in this leaflet.

Attention!

For the illustration of technical details the safety devices and protection mechanisms are partly not shown in operative condition. When operating the machine, all corresponding devices and instructions referring to the safety of the machine must be utilized and/or observed. (Protective panels and safety guards removed for photograph)

**BAADER
JOHNSON**
Food Processing Machinery

Johnson Food Equipment, Inc.
Member of the BAADER Group
2955 Fairfax Trafficway Kansas City, KS 66115
Tel: 913-621-3366 Fax: 913-621-1729
Email: sales@baader-johnson.com
Web Site: www.baader-johnson.com
800-288-3434 U.S. & Canada