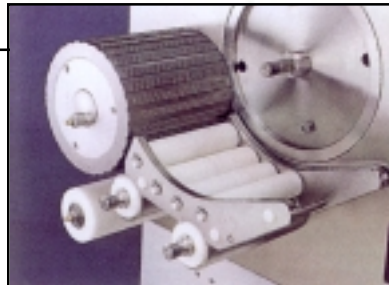


## BA603 Meat Separator

- Separates soft and solid components, providing highest yield and superior product quality
- Separation is attained by means of a gentle pressure system:
  - A squeezing belt feeds product to a perforated drum and presses the soft components through the holes
  - Solid components remain outside the drum
  - Raw product and hole diameter of drum determine texture of final product
  - Ratio between yield and quality can be varied by means of an adjustable roller
- Accepts a wide variety of products
- Space saving efficiency with only 1 operator
- Easy cleaning and maintenance



Durable bearings and rollers for long life and dependability



# BA603 Soft Belt Meat Separator



## ■ Technical Data

### ■ Materials of Construction

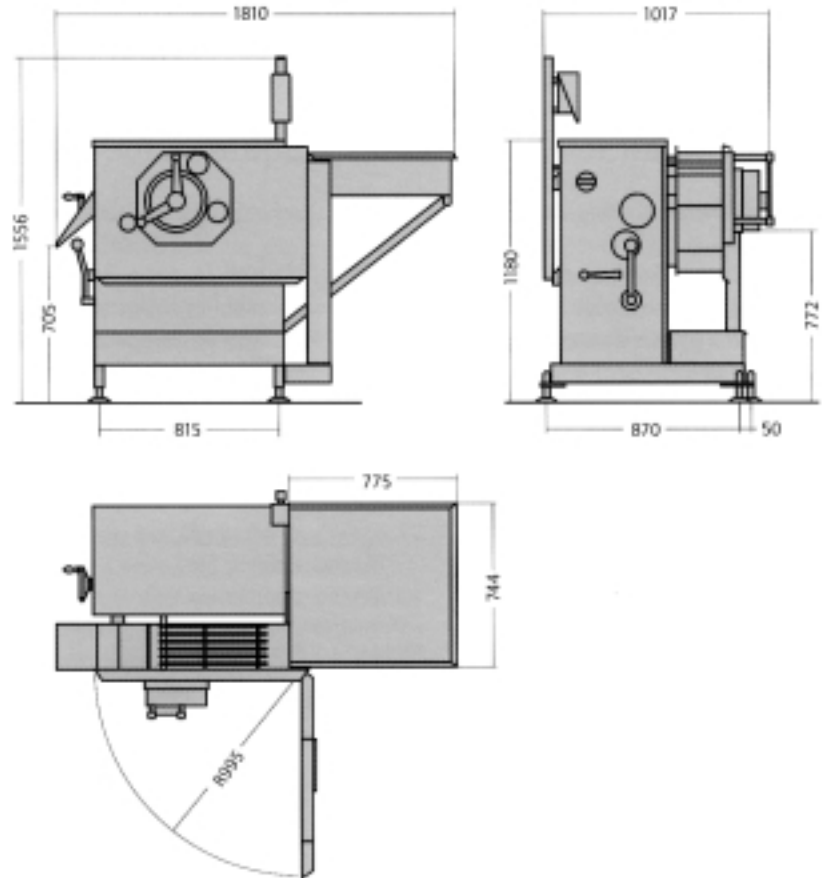
Stainless steel, plastic

### ■ Available Drum Hole Diameters

1.3, 2, 3, 5, or 8 mm  
Other diameters upon request

### ■ Shipping Weights and Measures

Net Weight: 645 kg (1422 lbs)  
Crated Weight: 685 kg (1510 lbs)  
Crated Dimensions: 1900 x 1100 x 1900 mm  
(74.8 x 43 x 74.8 in)



The specifications as stated herein are the most current at the time of publication. However, consistent with our standard of continual product improvement, we reserve the right to change the design without notice or obligation on our part to modify any equipment previously sold or delivered.

### Johnson Food Equipment, Inc. Member of the BAADER Group

2955 Fairfax Trafficway  
Kansas City, KS 66115  
Tel: 913-621-3366  
Fax: 913-621-1729  
Email: [sales@baader.johnson.com](mailto:sales@baader.johnson.com)  
Web Site: [www.baader.johnson.com](http://www.baader.johnson.com)

800-288-3434  
U.S. & Canada