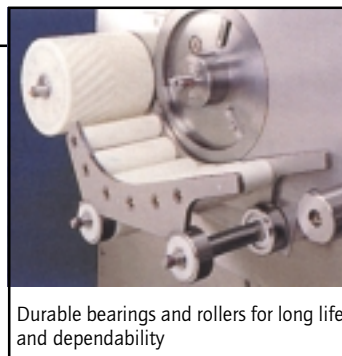


BA605 Meat Separator

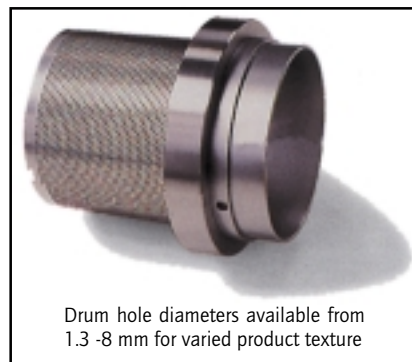
- Separates soft and solid components, providing highest yield and superior product quality
- Separation is attained by means of a gentle pressure system:
 - A squeezing belt feeds product to a perforated drum and presses the soft components through the holes
 - Solid components remain outside the drum
 - Raw product and hole diameter of drum determine texture of final product
 - Ratio between yield and quality can be varied by means of an adjustable roller
- Offers continuous processing of large quantities
- Accepts a wide variety of products
- Space saving efficiency with only 1 operator
- Easy cleaning and maintenance



Clearly arranged control elements for pressure roller, scraping knife, belt tension and crusher



Durable bearings and rollers for long life and dependability



Drum hole diameters available from 1.3 -8 mm for varied product texture

Johnson Food Equipment, Inc.
Member of the BAADER Group

2955 Fairfax Trafficway
Kansas City, KS 66115
Tel: 913-621-3366
Fax: 913-621-1729
Email: Sales@Johnsonfood.com
Web Site: www.Johnsonfood.com

800-288-3434
U.S. & Canada



BA605 Soft Belt Meat Separator

■ Technical Data

■ Materials of Construction

Stainless steel, plastic

■ Available Drum Hole Diameters

1.3, 2, 3, 5, or 8 mm
Other diameters upon request

■ Shipping Weights and Measures

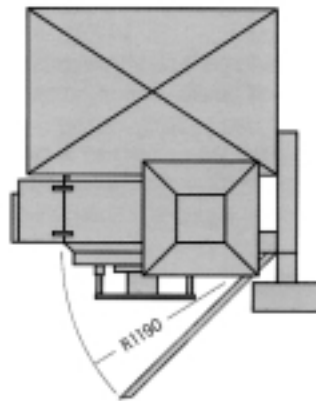
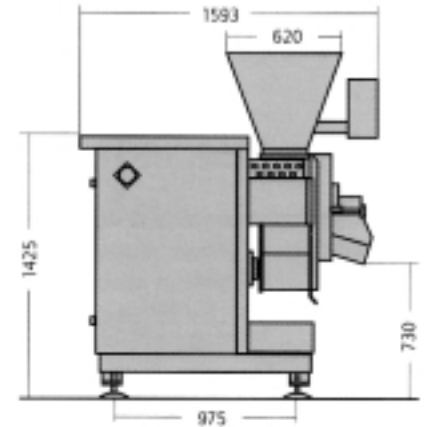
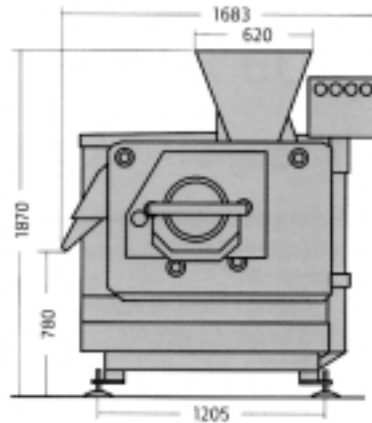
Net Weight: 1750 kg (3858 lbs)
Crated Weight: 1850 kg (4078.5 lbs)
Crated Dimensions: 1800 x 1800 x 2010 mm
(70.8 x 70.8 x 79 in)

■ Pressure System

Automatic electro-hydraulic

■ Options

- Preconditioning unit
- Automatic feeding system
- Top feeding unit



The specifications as stated herein are the most current at the time of publication. However, consistent with our standard of continual product improvement, we reserve the right to change the design without notice or obligation on our part to modify any equipment previously sold or delivered.

Johnson Food Equipment, Inc. Member of the BAADER Group

2955 Fairfax Trafficway
Kansas City, KS 66115
Tel: 913-621-3366
Fax: 913-621-1729
Email: sales@baader.johnson.com
Web Site: www.baader.johnson.com

800-288-3434
U.S. & Canada